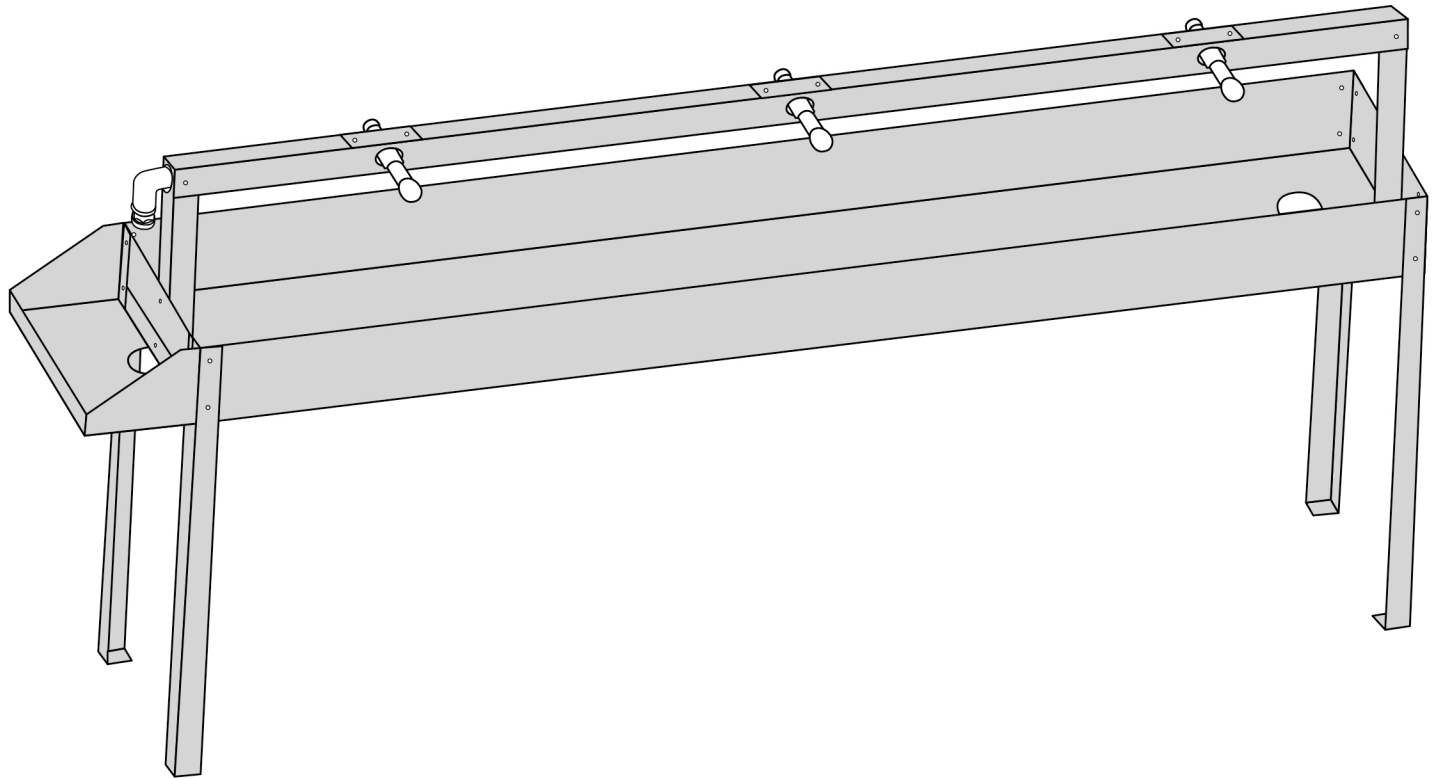


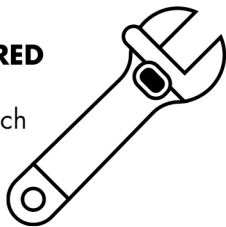
# OUTDOOR HANDWASHING STATION

## ASSEMBLY INSTRUCTIONS



### TOOLS REQUIRED

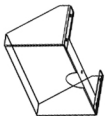
Adjustable Wrench



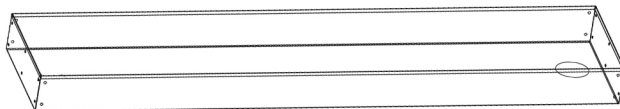
### ASSEMBLY TIPS

- We have a full assembly video available on the support page of our website: [outdoorhandwashingstation.com](http://outdoorhandwashingstation.com)
- Read the instructions thoroughly before beginning assembly.
- Place the tub on a folding table (or similar) to attach the legs.

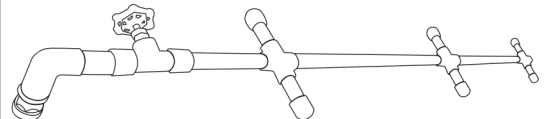
1x Soap Tray



1x Tub



1x Manifold



4x Tub Legs



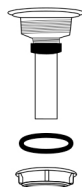
2x Manifold Uprights



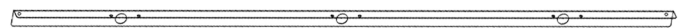
3x Manifold Brackets



1x Drain Assembly



1x Main Manifold Support



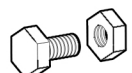
25 Feet of Discharge Hose



1x Hose Clamp

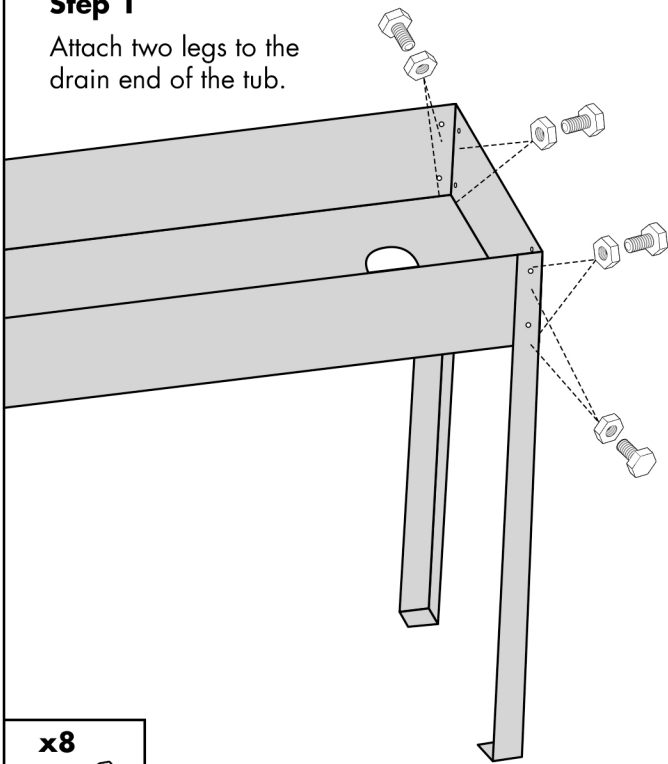


28x Flange Bolts And Nuts

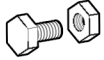


### Step 1

Attach two legs to the drain end of the tub.

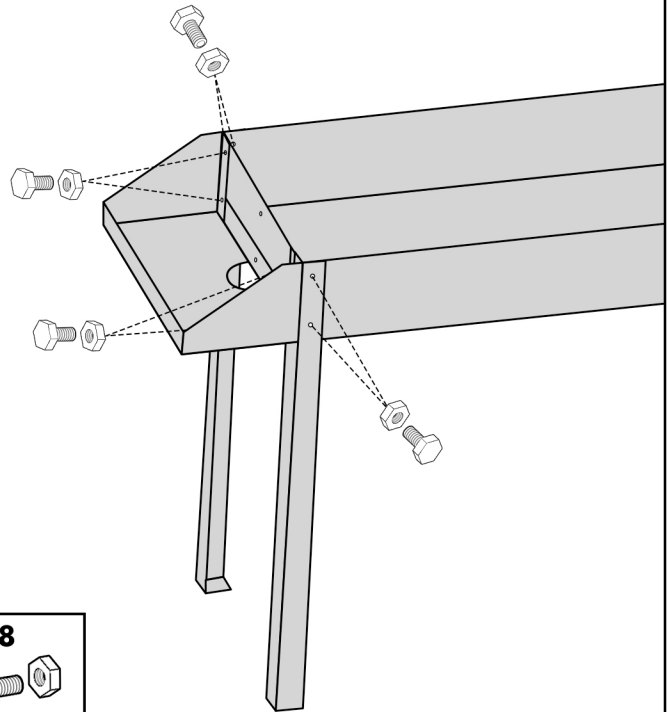


x8

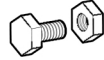


### Step 2

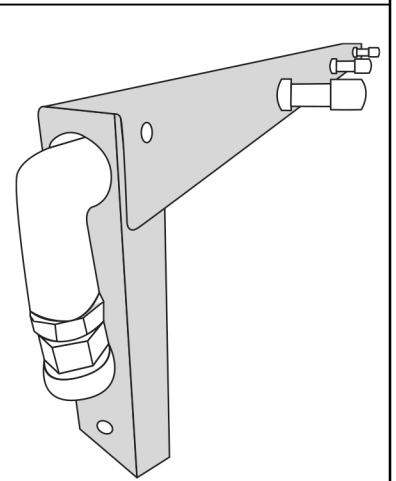
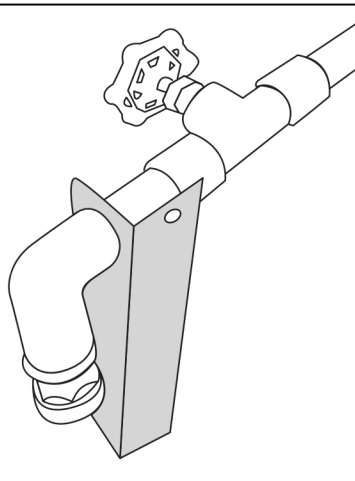
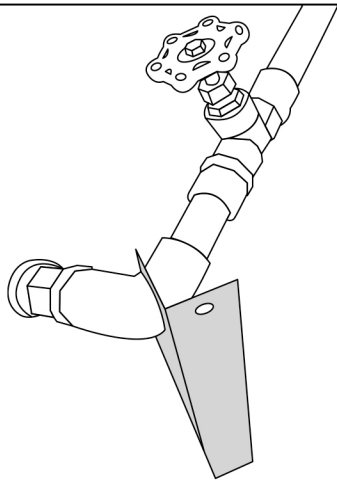
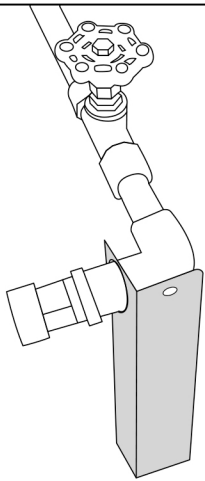
Attach the soap tray and legs to the other end of the tub, with the legs going between the tray and tub.



x8

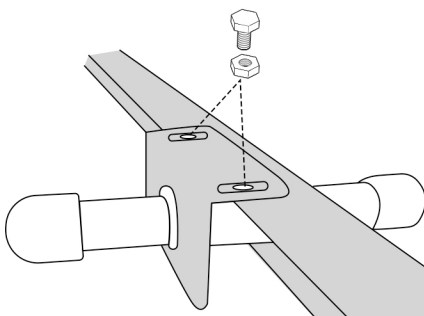


**Step 3** Slide the manifold upright onto the manifold as shown, then slide the main manifold support into place over the spouts.

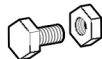


### Step 4

Attach manifold brackets over each spout on the open side of the main manifold support.

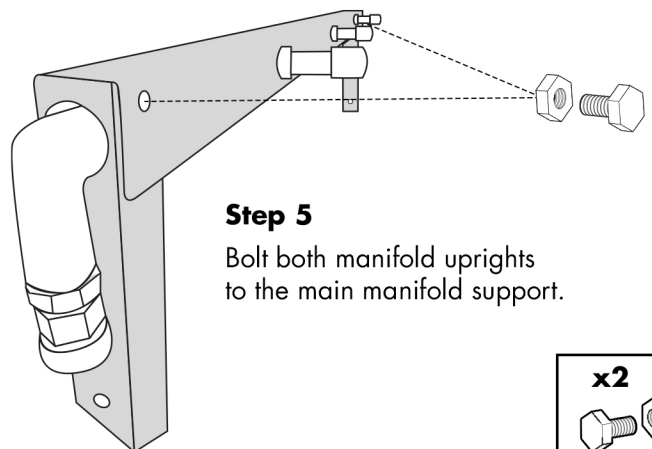


x6

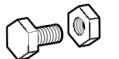


### Step 5

Bolt both manifold uprights to the main manifold support.

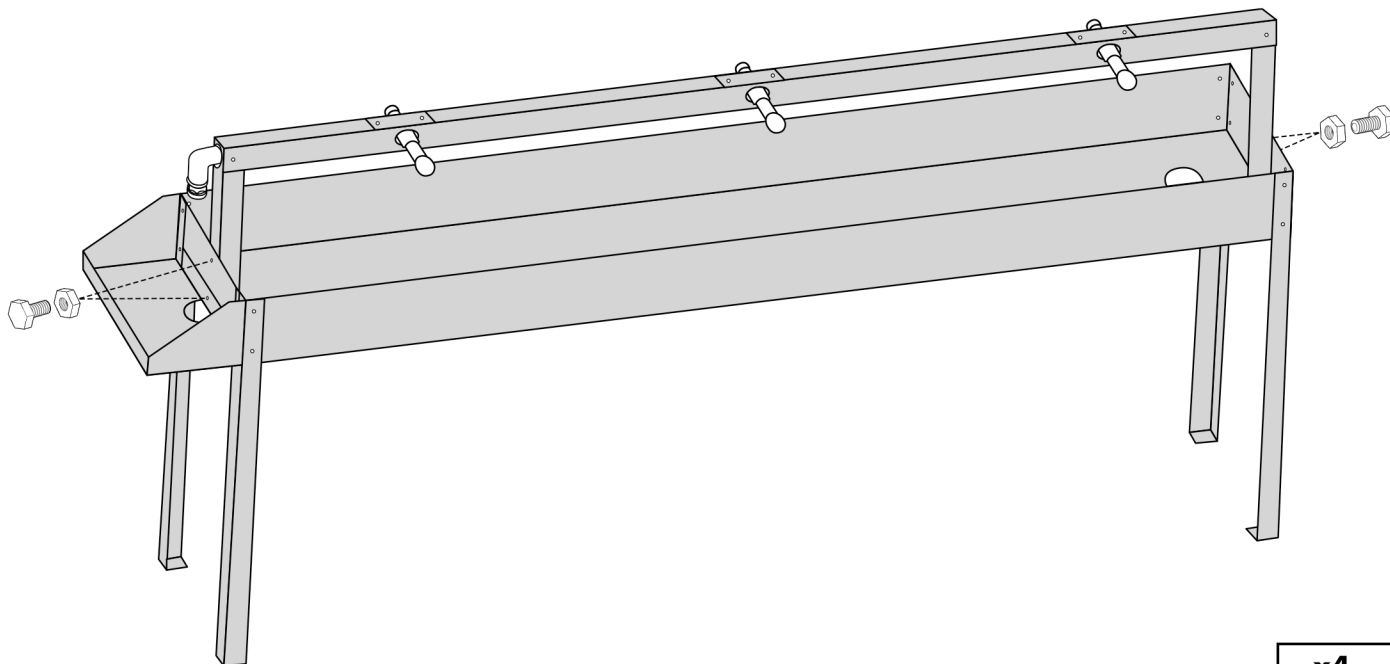


x2

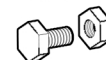


### Step 6

Place the completed manifold assembly into the tub and attach the two uprights.



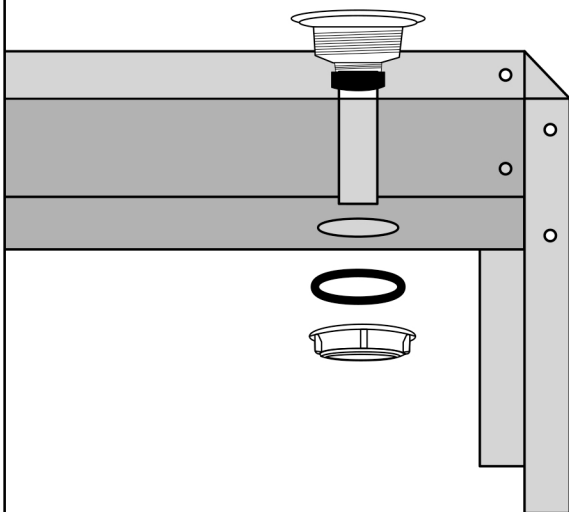
x4



**Step 7** Go around the unit and make sure all your bolts are nice and tight.

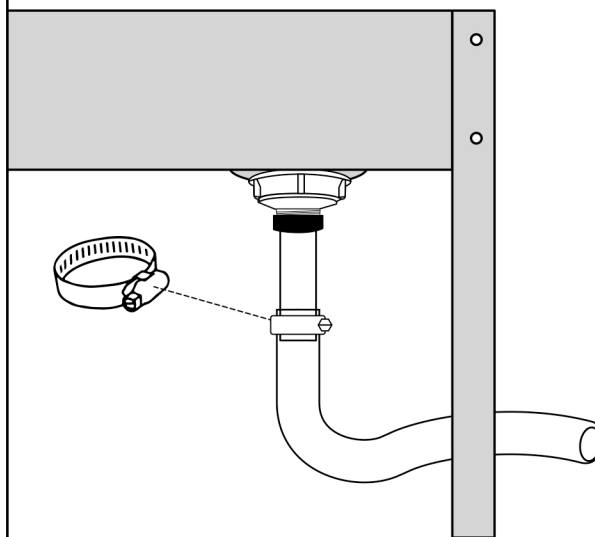
### Step 8

Remove the large drain nut and rubber gasket from the drain assembly. Place the drain through the tub and replace the gasket and nut from below. Tighten the nut as tight as you can get it.



### Step 9

Place the discharge hose on the drain outlet and secure it with the hose clamp. Run the discharge hose to a flower garden or lawn, being sure to follow local rules on grey-water use in your area.



**Step 10** Attach a hose to the wash station and turn it on. Use the manifold valve to control the flow of water to the spouts.



OUTDOOR  
**HANDWASHING**  
STATION.COM

---

OutdoorHandwashingStation.com is a family business based in Tucson, Arizona. Our goal is to build affordable, effective handwashing stations to help improve public health.

OUTDOORHANDWASHINGSTATION.COM

520-837-9931

OUTDOOR WASH STATION LLC  
P.O. BOX 57751  
TUCSON, AZ 85711

---